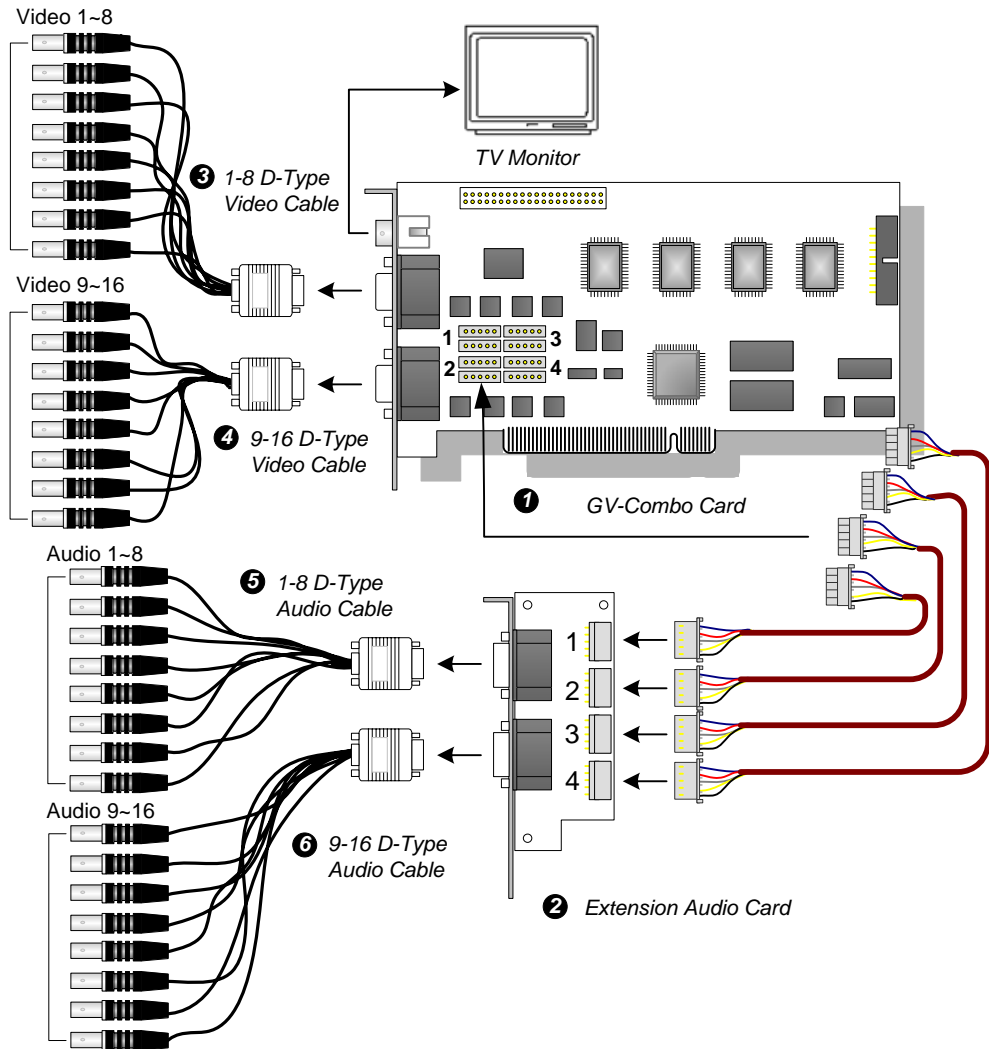


GV-Combo Card (D-Type)

GV-Combo Card (D-Type) provides a "single card solution" for 16 video/audio recording, real-time display and TV-out display .

Packing List

- ❶ GV-Combo Card x 1
- ❷ Audio extension Card x 1
- ❸ 1-8 D-Type Video Cable x 1
- ❹ 9-16 D-Type Video Cable x 1
- ❺ 1-8 D-type Audio Cable x 1
- ❻ 9-16 D-type Audio Cable x 1
- ❼ Hardware Watchdog Jumper Wire x 1
- ❽ Software CD x 1
- ❾ Installation Guide x 1



Specifications

Input Type	DB15 x 2 (for Video), DB9 x 2 (for Audio)	
Video Input / Audio Input	GV-1480	16 Channels
	GV-1240	8, 16 Channels
	GV-1120	8, 12, 16 Channels
TV Output	RCA connector x 1	
Recording Rate	GV-1480	480 fps (NTSC), 400 fps (PAL)
	GV-1240	240 fps (NTSC), 200 fps (PAL)
	GV-1120	120 fps (NTSC), 100 fps (PAL)
Display Rate	480 fps (NTSC), 400 fps (PAL)	
Video Resolution	NTSC	720x480, 720x480 De-interlace, 640x480, 640x480 De-interlace, 320x240
	PAL	720x576, 720x576 De-interlace, 640x480, 640x480 De-interlace, 320x240
Compression Format	Geo MPEG4, Geo MPEG4 (ASP), Geo H264, Geo H264 V2	
GV-NET/IO Card Support	Yes	
GV-Hybrid DVR Card Support	Yes	
Dimensions	170 mm x 95 mm / 6.69 in x3.74 in	

System Requirements

OS Supported	Windows 2000 / Windows XP / Windows Server 2003 / Windows Vista	
CPU	GV-1480	Pentium 4-3.0C GHz with Hyper-Threading
	GV-1240	Pentium 4-2.6C GHz with Hyper-Threading
	GV-1120	Pentium 4-2.4C GHz with Hyper-Threading
RAM	2 x 512 MB Dual Channel	
HDD	GV-1480	250 GB or above
	GV-1240	120 GB or above
	GV-1120	80 GB or above
VGA	ATI Radeon 9550 or above / NVIDIA 6200 or above	
DirectX	9.0 or above	

Note: 1. For recording resolution of 640 x 480 or above, Pentium 4 processor with Hyper-Threading is required.
 2. Currently GV Video Capture Cards are not compatible with VIA-series and ATI-series chipset motherboards.
 3. The recording rate is set to 320 x240 resolution.